

DESCRIPTION - PROFILES FOR FLOORS AT DIFFERENT LEVELS

Profiles designed to solve level differences between floors. The wide range of products allows you to choose the design that best suits the installation environment, with a variety of colors and finishes combined with top-notch manufacturing.

In residential projects or industrial and commercial areas, due to wall and floor coverings of different thicknesses, floors can often have different heights during the floor installation phase.

In this way, "steps" are created which, although minimal in thickness, are dangerous to pedestrian passage and may lead to tripping. The combination of two surfaces with contrasting characteristics, such as parquet and ceramic, perfectly represent this kind of situation. However, the problem can be easily solved: just apply a transition profile for floors of different heights.

During the construction process, profiles are applied to reconcile level differences between floors. However, it is not always possible to foresee the gap between floor types. In some cases, the gap actually appears when installation is complete, or even during a renovation. In such cases, post-installation profiles must be used.

ZRN60



ZRN60 - A



ZRN60 - IL

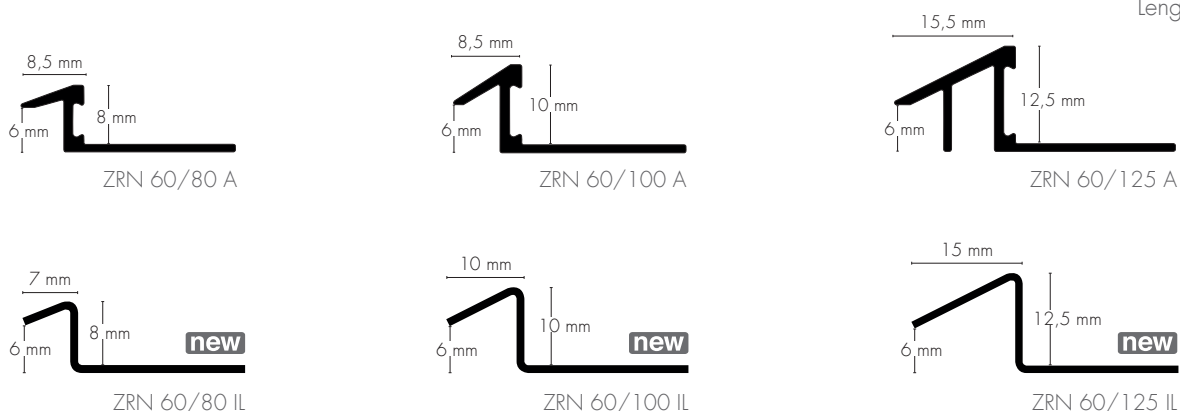
ZEROTEC ZRN60 DESCRIPTION

TRANSITION PROFILES FOR FLOORS WITH DIFFERENT HEIGHTS AND OF DIFFERENT MATERIALS

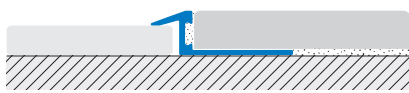
Zerotec ZRN60 is a profile conceived to optimize transitions between tile, carpeting or rugs and other floor types, such as wood, PVC or laminates. The fusion of the profile's delicate line and its gradual slope allows **easy passage between various floor levels**; 8, 10, or 12.5 mm tile can be simply installed directly next to thinner (6 mm) flooring due to the product's versatility. Additionally, its unique shape protects and hides the floor edge from impact, preventing chips and cracks.

ZRN60 is available in both **anodized aluminum** and **AISI 304 stainless steel** to ensure maximum versatility in choosing the ideal solution for the environment in which it will be applied. The different finishes give life to light effects with lively and harmonious tones.

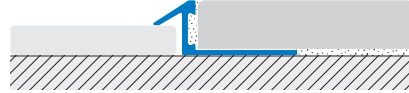
TECHNICAL DRAWINGS



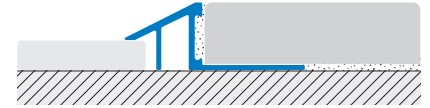
INSTALLATION EXAMPLE



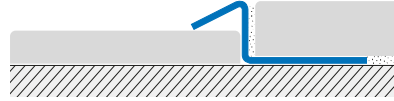
ZRN60/80 - A



ZRN60/100 - A



ZRN60/125 - A



ZRN60 - IL

TECHNICAL FEATURES - ZRN 60

ZRN60

ZEROTEC CODE » ZRN 60/ - A - ANODIZED ALUMINUM

Art.	H (mm)	Description	pz ■	
ZRN 60/80 AS	8	Anodized Silver	20 pz	
ZRN 60/100 AS	10	Anodized Silver	20 pz	
ZRN 60/125 AS	12,5	Anodized Silver	20 pz	
ZRN 60/80 AT	8	Anodized Titanium	20 pz	
ZRN 60/100 AT	10	Anodized Titanium	20 pz	
ZRN 60/125 AT	12,5	Anodized Titanium	20 pz	
ZRN 60/80 ATSB	8	Brushed Bright Polished Anodized Titanium	20 pz	
ZRN 60/100 ATSB	10	Brushed Bright Polished Anodized Titanium	20 pz	
ZRN 60/125 ATSB	12,5	Brushed Bright Polished Anodized Titanium	20 pz	
ZRN 60/80 AMSB	8	Brushed Anodized Ancient Bronze	20 pz	
ZRN 60/100 AMSB	10	Brushed Anodized Ancient Bronze	20 pz	
ZRN 60/125 AMSB	12,5	Brushed Anodized Ancient Bronze	20 pz	

Individually blistered product

ZEROTEC CODE » ZRN 60/ - IL - Stainless Steel AISI 304 - DIN 1.4301

Art.	H (mm)	Description	pz	
ZRN 60/80 IL	8	Stainless Steel Polished	10 pz	
ZRN 60/100 IL	10	Stainless Steel Polished	10 pz	
ZRN 60/125 IL	12,5	Stainless Steel Polished	10 pz	

Profilitec S.p.A.
Via Scotte, 3 - 36033 Isola Vicentina (Vicenza), ITALY
Tel: +39 0444 268311
e-mail: profilitec@profilitec.com (ITA)

Profilitec Corp.
472 Meeting Street, Suite C, No. 301 -
Charleston, SC 29403, USA
Ph: +1 855 290 9591
e-mail: customerservice@profilitec.com

profilitec
positive profile